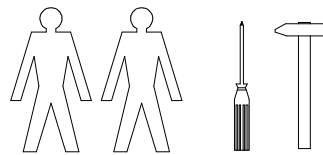
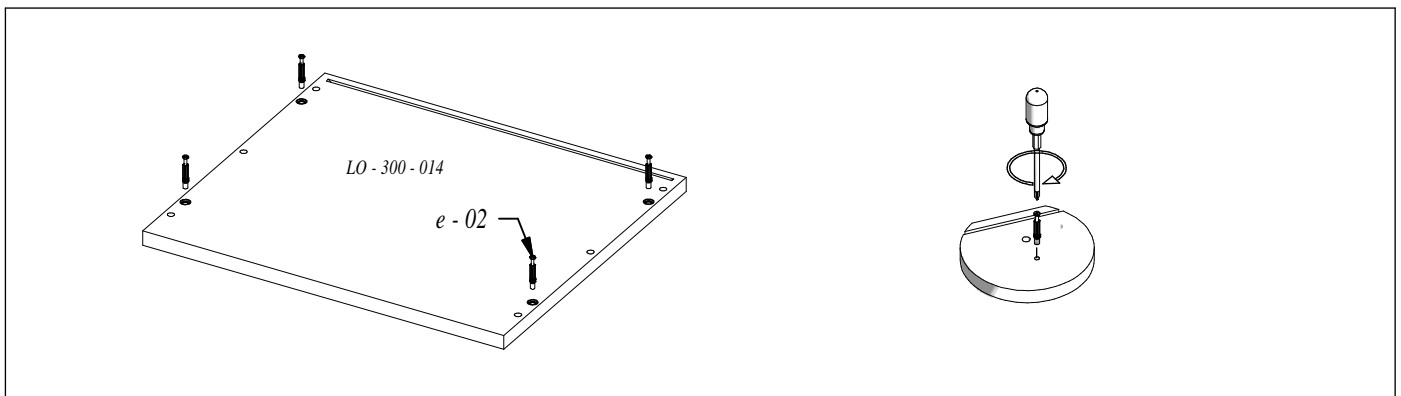
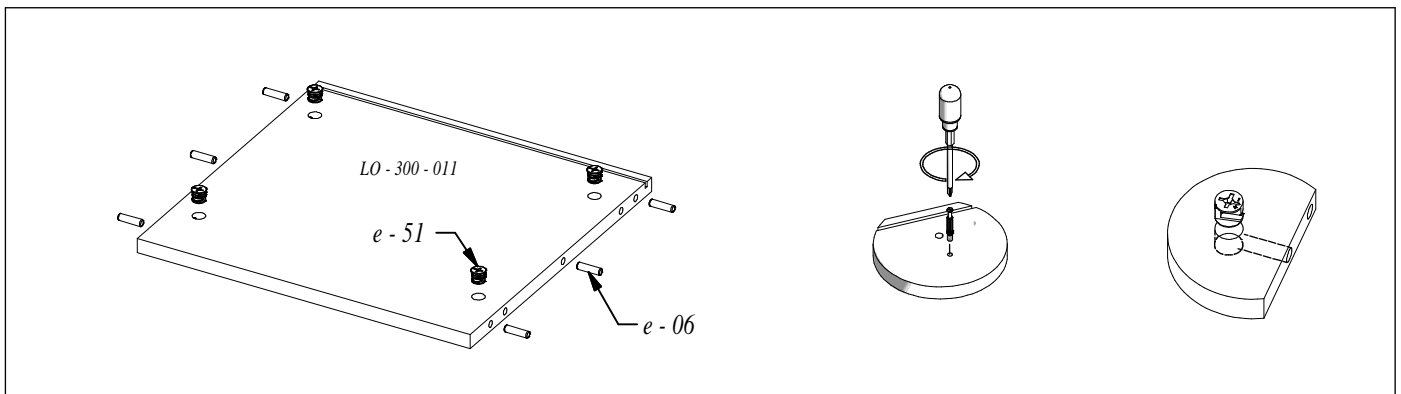
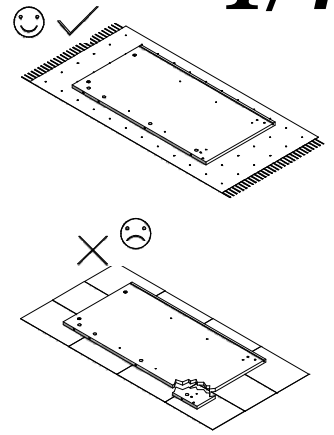
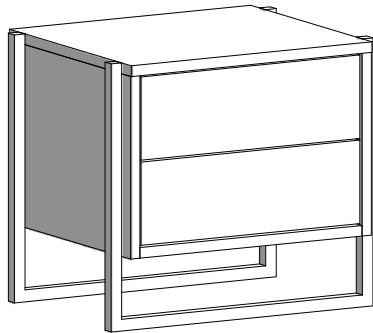


Loft 2S

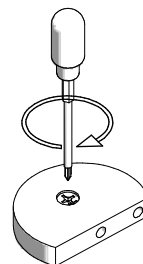
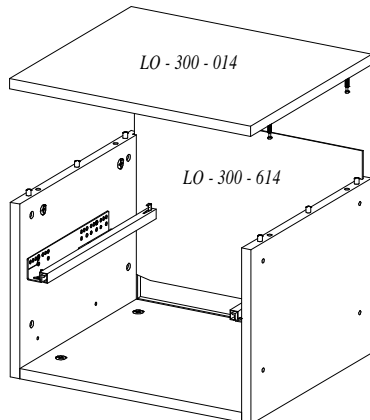
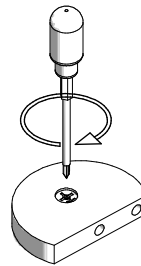
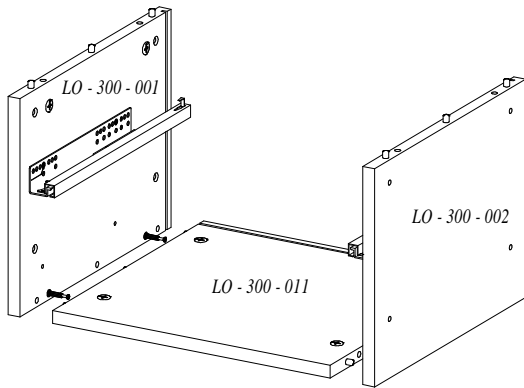
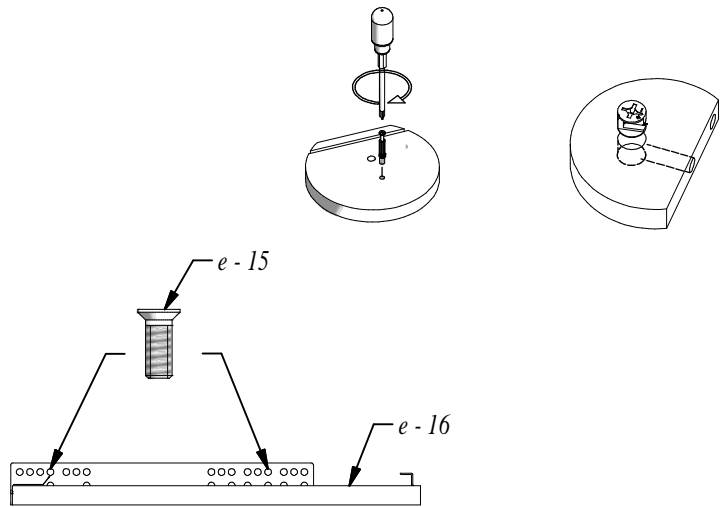
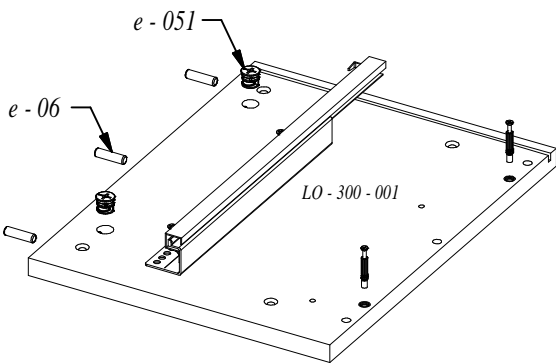
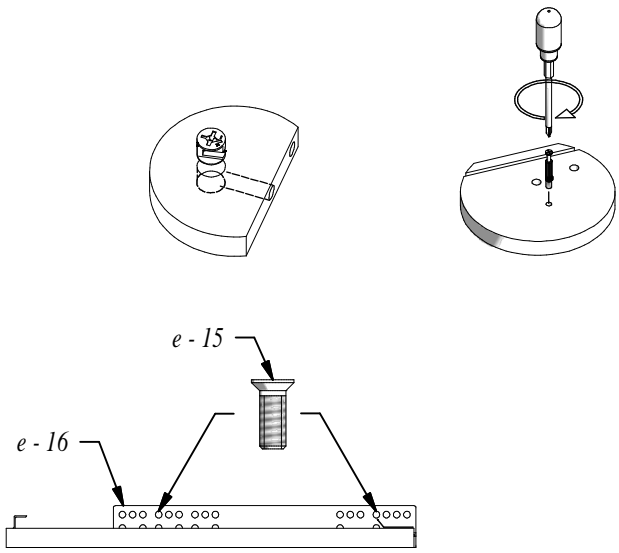
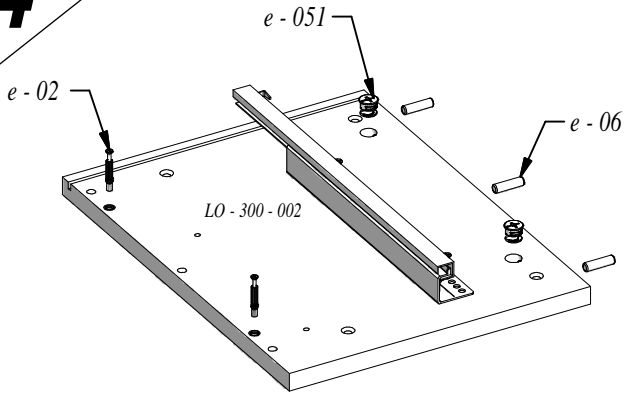


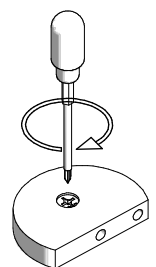
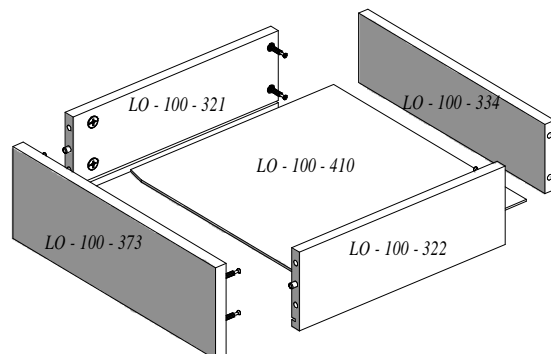
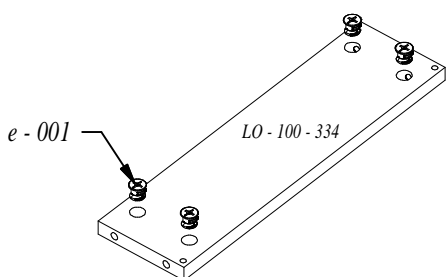
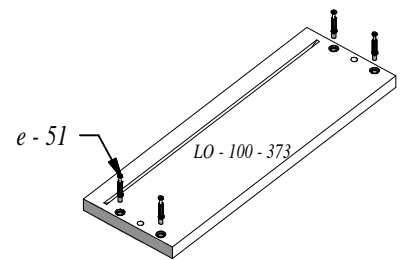
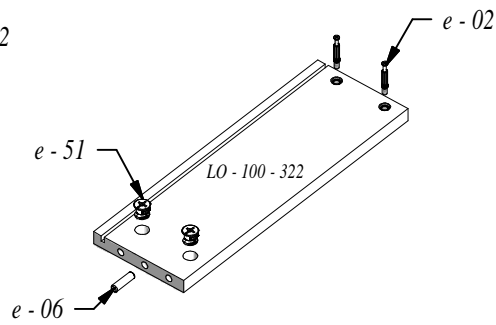
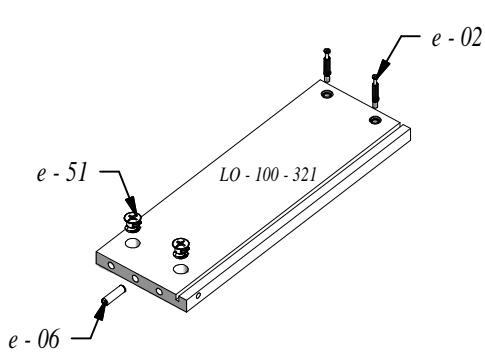
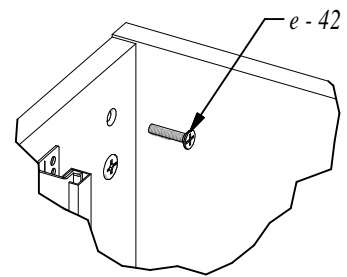
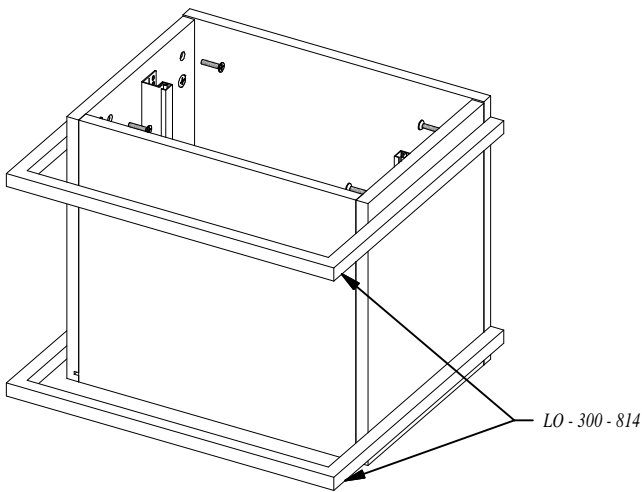
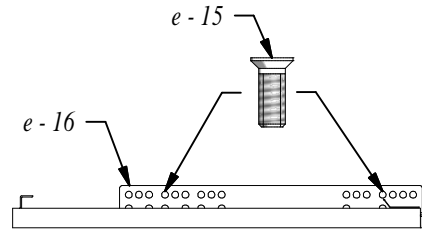
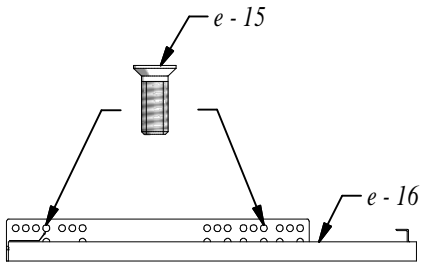
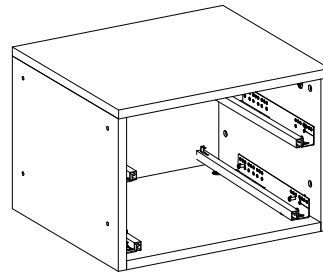
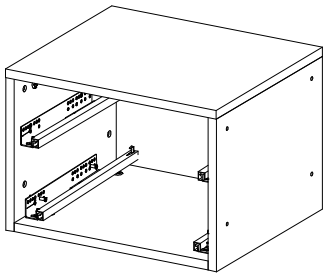
1/4



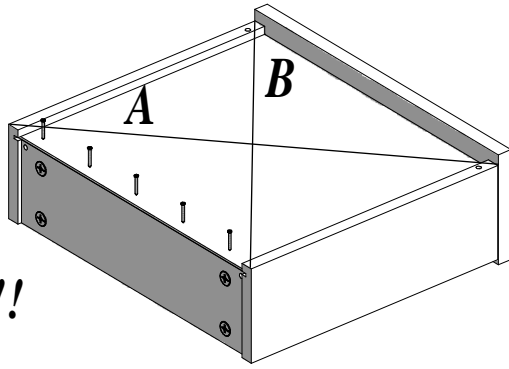
| | | | | | |
|-----------------------------------|--------------------------------------|----------------------|-------------------------------------|-------------------------|--|
| <p>e - 051 (x 24)</p> | <p>e - 06 (x 16)</p> <p>8 x 32</p> | <p>e - 02 (x 24)</p> | | | |
| <p>e - 42 (x 8)</p> <p>6 x 30</p> | <p>e - 14 (x 10)</p> <p>2,5 x 20</p> | <p>e - 35 (x 1)</p> | <p>e - 15 (x 8)</p> <p>6,3 x 13</p> | <p>e - 16 (x 2 kpl)</p> | |

2/4





4/4



$A = B !!!$

