

— NEW —
ELEGANCE
FURNITURE & DESIGN



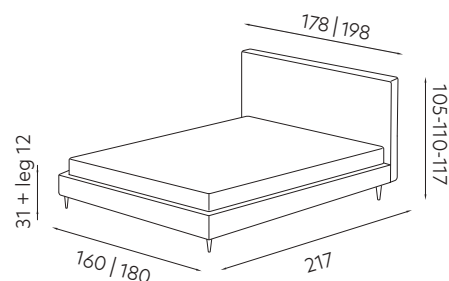
Bed Collection 2023

UPHOLSTERED BEDS



OVALO

Picture shows the Ovalo bedside table and bed in fabric RELAX 81

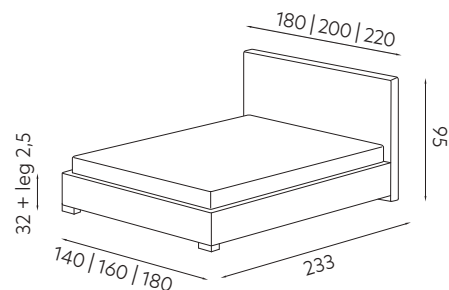


Possibility to install the headrest in three heights.
Bed is available with or without a container.



NUBO

Picture shows the Nubo bedside table and bed in fabric LEGACY IVORY 1

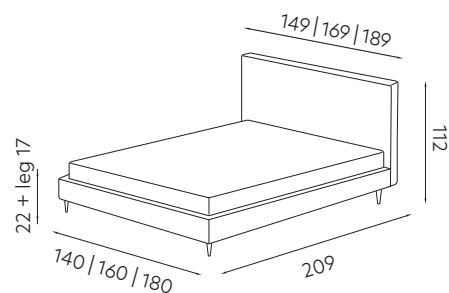


Bed is available with or without a container.



MARMI

Picture shows the Marmi bedside table and bed in fabric HERITAGE MOUSE

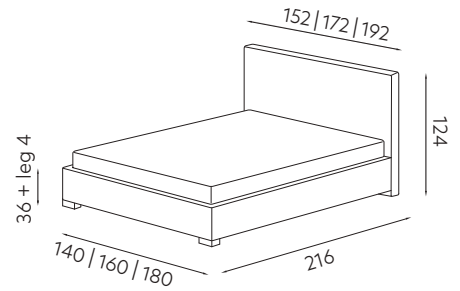


The bed is only available without a container.



VERTIGO

Picture shows the Vertigo bedside table and bed in fabric COCO 83



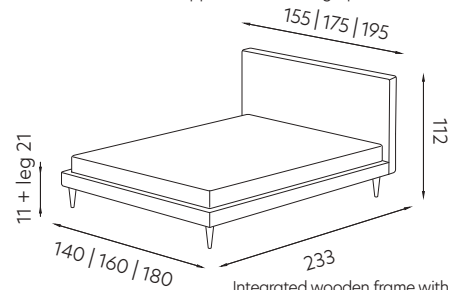
Bed is available with or without a container.



FORLI

Picture shows the Forli horizontal left bedside table, bench and bed in fabrics: LINEN FLOW 74 and VEGA 11

Bed available in two combined fabrics, one fabric on the body, the other on the front of the cushions. Decorative zippers available in graphite or black.

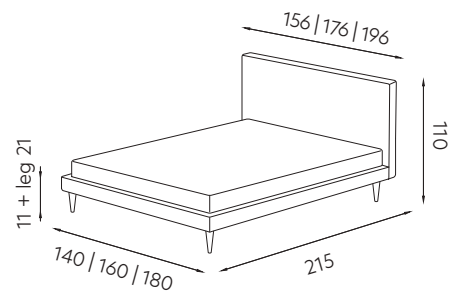


Integrated wooden frame with 22 slats. The bed is only available without a container.



PRATO

Picture shows the Prato bedside table and a bed in fabric LEGACY FOSSIL 16

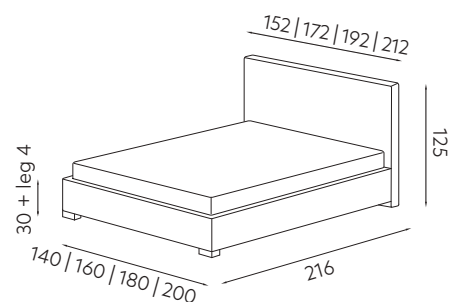


Integrated wooden frame with 22 slats. The bed is only available without a container.



ORO

Picture shows a continental B bedside table and a bed in fabric PIANO 04

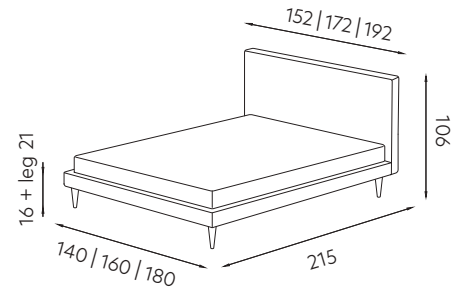


Bed is available with or without a container.



NELLO

Picture shows the Nello bedside table, bench and bed in fabric OREO 04

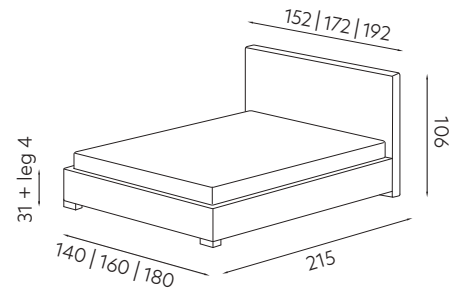


Integrated wooden frame with 22 slats.
The bed is only available without a container.



NELLO 2.0

Picture shows the Nello 2.0 bedside table, bench with a container and bed in fabric APHRODITE 2



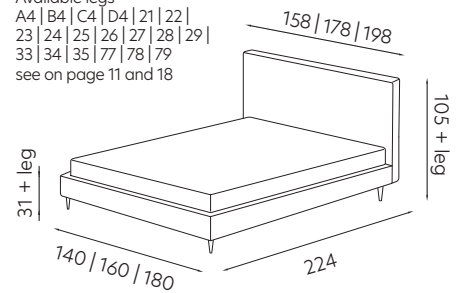
Bed is available with or without a container.



CHARLOTTE

Picture shows a bed in fabric LINCOLN 72

Available legs
A4 | B4 | C4 | D4 | 21 | 22 |
23 | 24 | 25 | 26 | 27 | 28 | 29 |
33 | 34 | 35 | 77 | 78 | 79
see on page 11 and 18



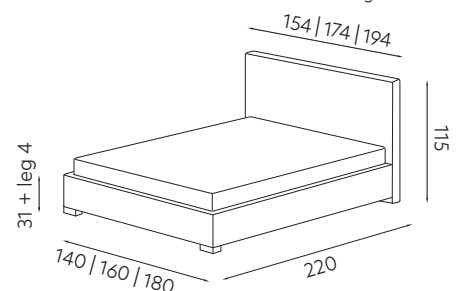
Bed is available with or without a container.



BOHO

Picture shows Standard bedside table and a bed in fabric ZOYA 08

NOTE! In a bed with a container, the mattress up to 22 cm. Higher mattress will make it difficult to tilt the movable part of the headboard. Standard includes 2 sliding headrests.

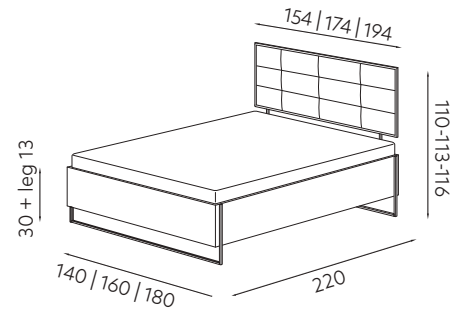


Bed is available with or without a container.



SOFT LOFT

Picture shows the Soft Loft bedside table and bed in fabric CYBER 65 GREY

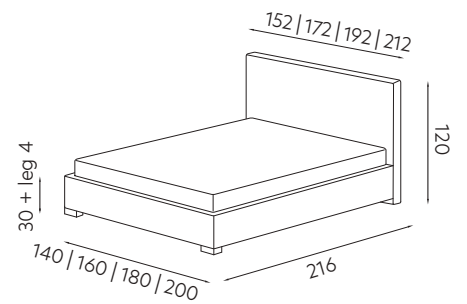


Possibility to install the headrest in three heights.
Bed is available with or without a container.



PORTO

Picture shows Calgary bedside table and a bed in fabric VENUS VELVET 2940

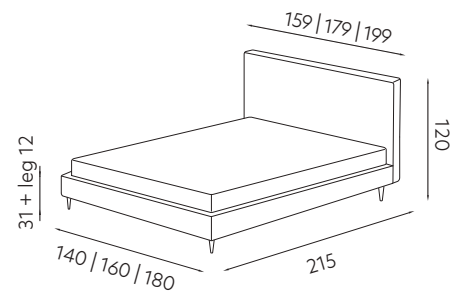


Bed is available with or without a container. NOTE! In a bed with a container, mattress up to 22 cm. A higher mattress will make it difficult to move the movable part of the headboard.



NORD

Picture shows the Nord bedside table and bed in fabric VERA 15

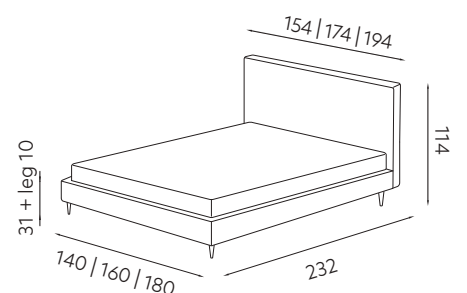


Bed is available with or without a container.



LAYLA

Picture shows the Layla bedside table and bed in fabric MAYA 15

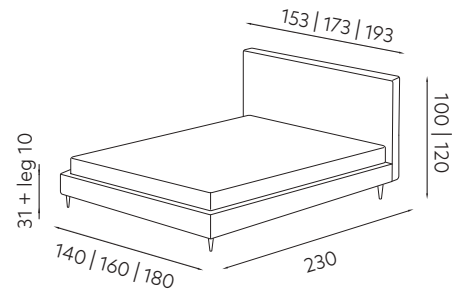


Bed is available with or without a container.



MAYA

Picture shows a continental table D and a 120 cm high bed in fabric VOGUE 09 AMBER



Bed is available with or without a container.



For a bed with a container it is possible to order a frame with electric lifting function controlled by remote control.

MONACO

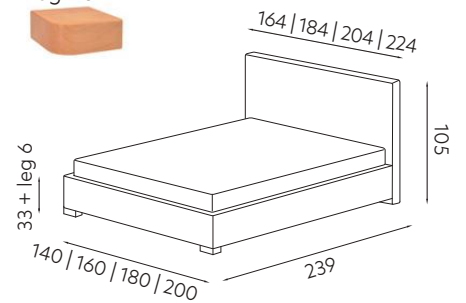
leg B6



leg A6*



Picture shows Calgary bedside table and a bed in fabric LECH 02 NAVY



* coloration of leg A6 on page 23.
Bed is available with or without a container.



BELLY

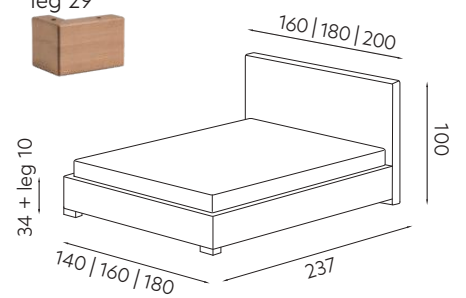
leg 35



leg 29*



Picture shows a continental B bedside table and a bed in fabric AURORA 2495

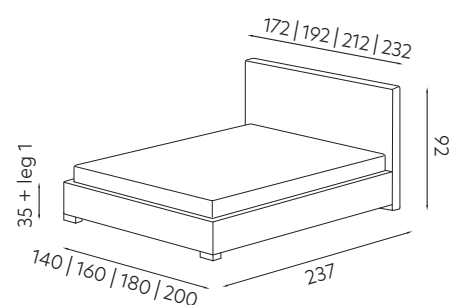


* coloration of leg 29 on page 23.
Bed is available with or without a container.



BOLSENA

Picture shows the Bolsena bedside table and bed in fabric RANCH 12

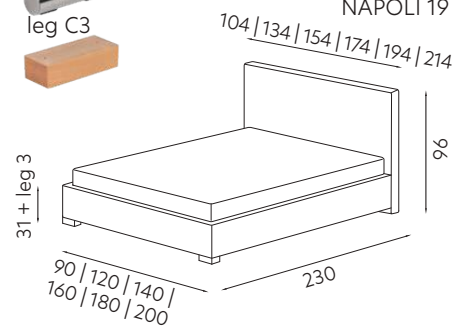


Bed is available with or without a container.



APOLLO S

leg A3 Picture shows Standard bedside table and a bed in fabric NAPOLI 19

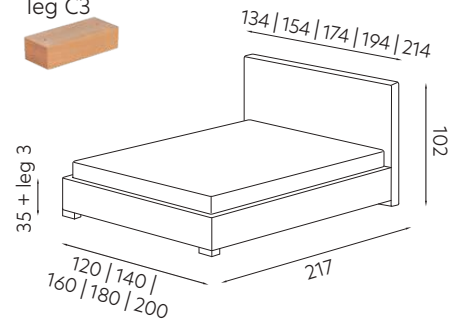


Coloration of leg C3 on page 23. Bed is available with or without a container.



KALIPSO

leg A3 Picture shows Standard bedside table and a bed in fabric MATRIX 15 SILVER

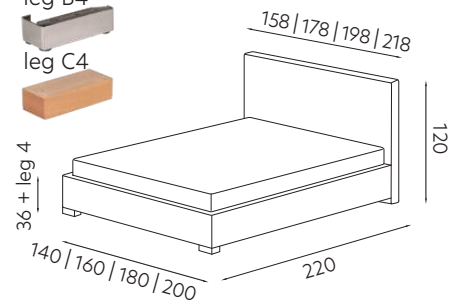


Coloration of leg C3 on page 23. Bed is available with or without a container.



HAVANA

leg A4 Picture shows the Havana bedside table and bed in fabric PIANO 28

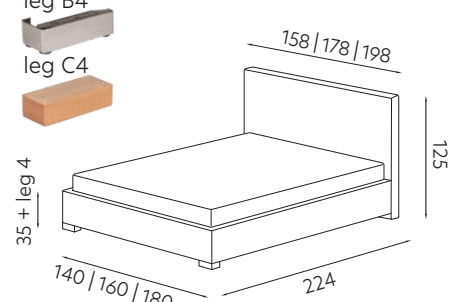


Coloration of leg C4 on page 23. Bed is available with or without a container.



ROMA

leg A4 Picture shows the Roma bedside table and bed in fabric NAPOLI 04



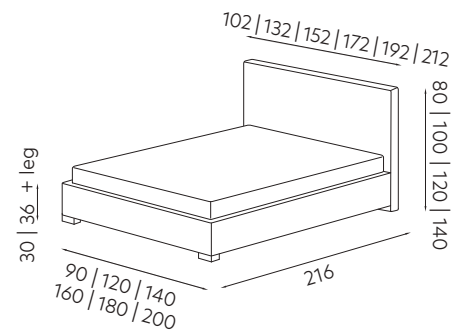
Coloration of leg C4 on page 23. Bed is available with or without a container.

MINI MAXI BEDS



HEADBOARD 2700

Picture shows a Libro right side bedside table and a bed 120 cm high, body C, black C4 leg, stitching C, fabric NEW NEAPOL 03



Bed is available with or without a container.



HEADBOARD 3700

Picture shows a Diamond bedside table and a bed 120 cm high, body C, stitching C, base E varnished oak, fabric MONOLITH 92

two possible finishes for the headboard frame and the plinth



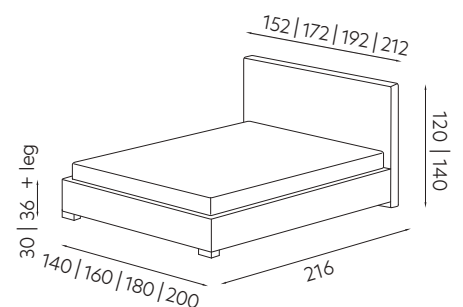
chrome
(metal)



varnished wood
see colorations on
page 23



Decorative wooden E plinth. Available colorations on page 23.

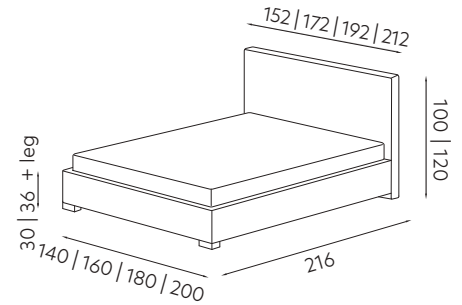


Bed is available with or without a container.



HEADBOARD 3000

Picture shows a bed 120 cm high, body G, stitching A, leg B4, fabric CHARLES 11 NUT

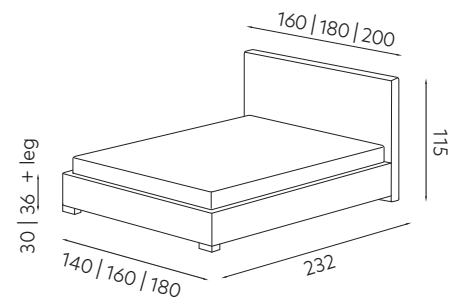


Bed is available with or without a container.



HEADBOARD 5700

Picture shows a continental bedside table B and a bed 115 cm high, body C, stitching A, leg 35, fabric MURANO 60 TITAN

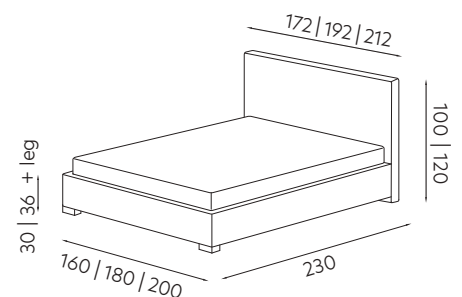


Bed is available with or without a container.



HEADBOARD 3100

Picture shows a bed 120 cm high, body G, stitching A, leg B4, eco leather VEGA 01

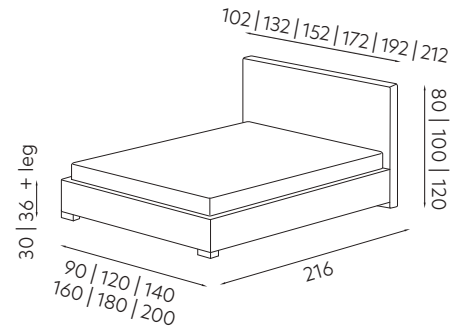


Bed is available with or without a container.



HEADBOARD 2100

Picture shows Calgary bedside table and a bed 100 cm high, body C, stitching A, leg B4, fabric ASTI 03

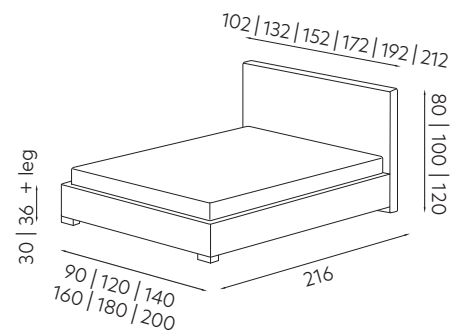


Bed is available with or without a container.



HEADBOARD 2101

Picture shows Standard bedside table and a bed 80 cm high, body C, stitching B, leg A4, eco leather VEGA 02

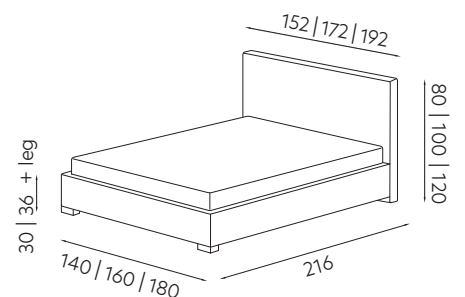


Bed is available with or without a container.



HEADBOARD 2300

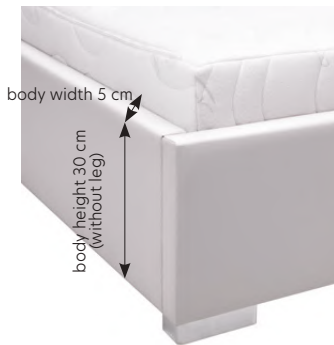
Picture shows Standard bedside table and a bed 120 cm high, body C, stitching A, leg B4, fabric AUSTIN 03 ANTELOPE



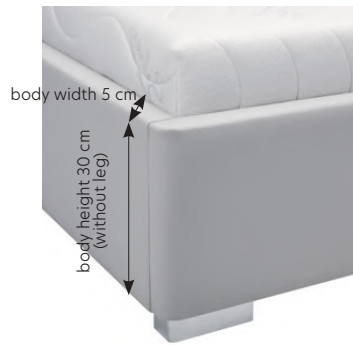
Bed is available with or without a container.

4 BODIES TO CHOOSE FROM

C body (straight edge)



G body (curved edge)



H body (connected at 45 angle)



W body (straight edge)



C, G and H bodies in headboard version available on all types of legs and glides.

W body with headboard available on A4, B4, C4, D4 legs and glides.

Bodies without a headboard (free-standing) (C, G, W) available on all types of legs and glides.

6 LEGS, GLIDE AND PLINTH TO CHOOSE FROM

Choose the type of leg. Metal legs A4, B4, D4 and 35 and wooden legs C4 and 29 are available. Plinth E is available in two variants - wooden and chrome. Wooden elements are available in 9 colors (see page 23 of the catalog).



leg A4
height 4 cm
width 15 cm
depth 4 cm



leg B4
height 4 cm
width 15 cm
depth 6,5 cm



leg C4
height 4 cm
width 15 cm
depth 6,5 cm



leg D4
height 4 cm
width 15 cm
depth 6,5 cm



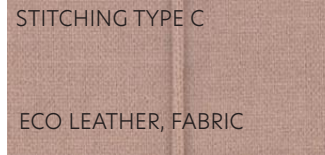
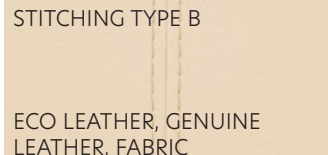
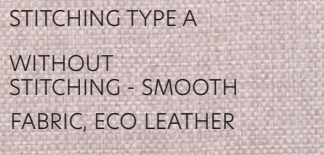
leg 35
height 10 cm
width 15 cm
depth 10 cm



leg 29
Height 10 cm
width 15 cm
depth 10 cm

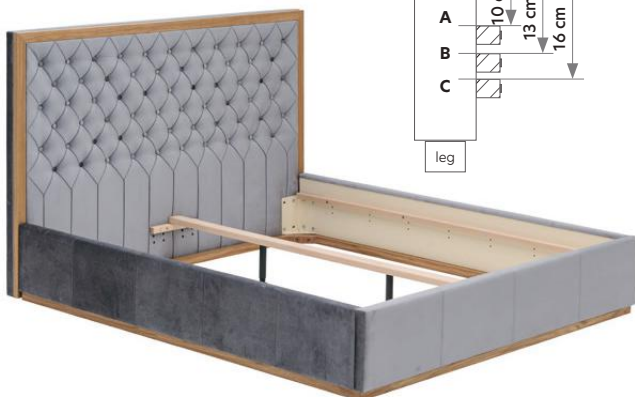
3 BODY STITCHING

Each body can be ordered in one of 3 stitching patterns

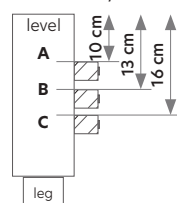


2 VARIANTS OF THE BOX

bed without a container



3 heights of frame assembly



You can buy each MINI MAXI bed in a version with or without a container.

bed with a tilting container with front opening



Two types of frames are available for beds without container: Standard or Economic Duo. See page 25.

Two types of frames are available for beds with a container: Standard Frame L53 or Komfort Frame L38. See page 25.

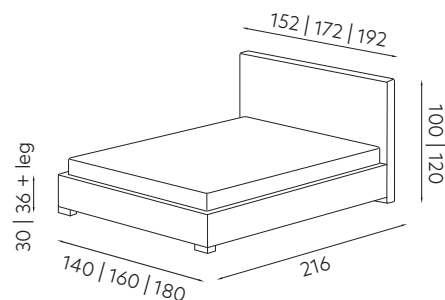
PREMIUM BEDS

Each element of the headboard is separately modelled and upholstered



HEADBOARD 70

Picture shows a continental bedside table B and a bed 120 cm high, body C, leg D4, fabric OXFORD KHAKI



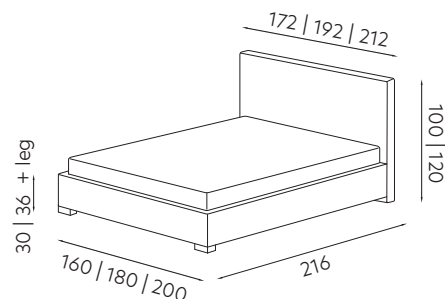
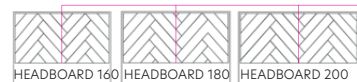
Bed is available with or without a container.



HEADBOARD 77

Picture shows Rondo bedside table and a bed 120 cm high, body C, black leg 29, fabric CYBER 84 CLAY

Depending on the size, the headboards have a different arrangement of herringbone elements. The drawings illustrate these differences and show the center point of the headboard

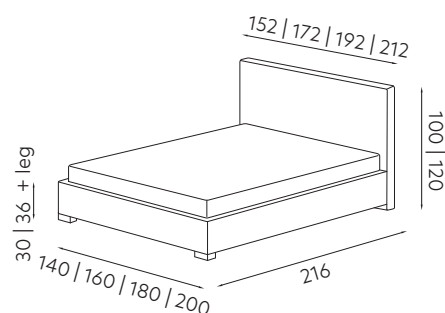


Bed is available with or without a container.



HEADBOARD 22

Picture shows a bed 120 cm high, body W, leg B4, fabric MYSTIC 69

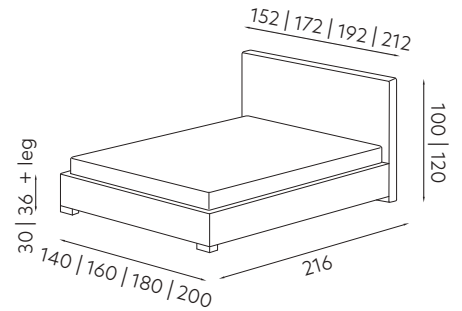


Bed is available with or without a container.



HEADBOARD 33

Picture shows a continental bedside table D and a bed 120 cm high, body C, leg B4, fabric MONOLITH 09

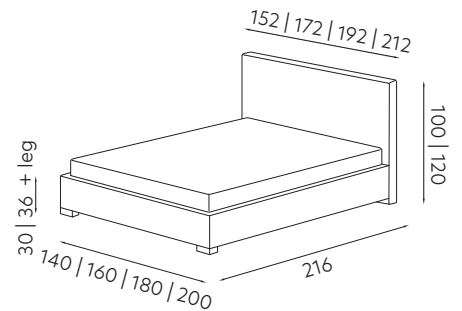


Bed is available with or without a container.



HEADBOARD 66

Picture shows a bed 120 cm high, body W, leg C4 in black 24, fabric ELBA 67, MOON MIST



Bed is available with or without a container.

5 headboards to choose from



HEADBOARD 70



HEADBOARD 77



HEADBOARD 22



HEADBOARD 33



HEADBOARD 66

2 bodies to choose from



C Body with a headboard and without headboard (free-standing) available with all variants of legs and glides.



W body with a headboard available on A4, B4, C4, D4 legs and sliders. In the version without a headboard (free-standing) available with all variants of legs and glides.

6 legs to choose from



leg A4
H 4 | W 15 | D 4 cm



leg B4
H 4 | W 15 | D 6,5 cm



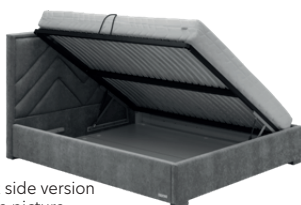
leg C4*
H 4 | W 15 | D 6,5 cm



leg D4
H 4 | W 15 | D 6,5 cm

3 variants of the box

bed with a tilting container with side opening (right and left versions available)



right side version in the picture

bed with a tilting container with front opening



bed without a container



Two types of frames are available for beds without a container: Standard or Economic Duo. See page 25.



leg 35
H 10 | W 15 | D 10 cm



leg 29*
H 10 | W 15 | D 10 cm

* legs C4 and 29 available in 9 colors. See on page 23.

Two types of frames are available for beds with a container: Standard L53 frame or Komfort L38 frame. See page 25.

CONTINENTAL BEDS



Headboards with a height of 130 cm are fixed to the base.
Headboards with a height of 150 cm are fixed to the wall only.

HEADBOARD 800

Picture shows Natural bedside table and a bed 150 cm high, with a wooden frame and plinth in varnished oak 28, fabric OXFORD BEIGE



chrome (metal)

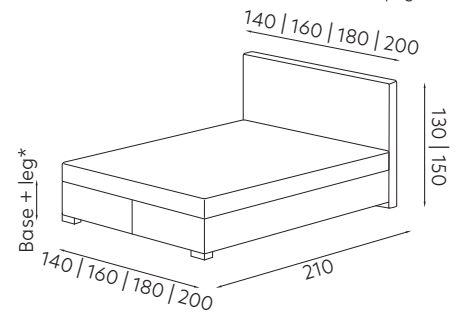


varnished oak 28 (wood)



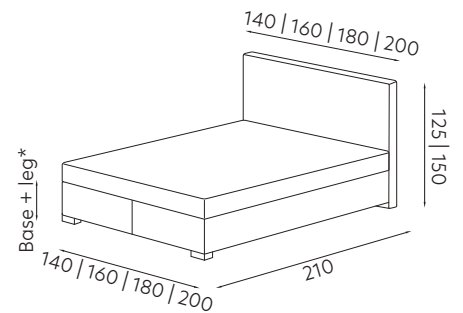
varnished beech 01 (wood)

More colorations on page 23



HEADBOARD 707

Picture shows a continental bedside table D, base Z, leg 78, headboard height 150 cm, fabric VOGUE 13 DEEP OCEAN



Headboards with a height of 130 cm are fixed to the base.
Headboards with a height of 150 and 180 cm are fixed to the wall only.

HEADBOARD 700

Picture shows Natural bedside table and a bed 180 cm high, wooden frame and base in the color of varnished oak 28, base E, fabric BOLSHOI 33 HUNTER



chrome (metal)

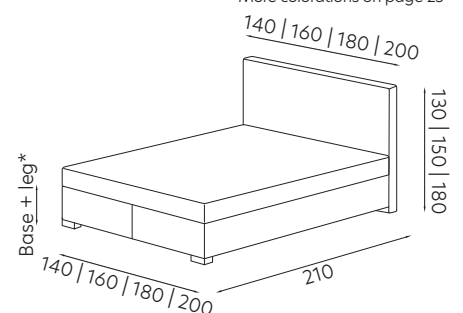


varnished oak 28 (wood)



varnished beech 01 (wood)

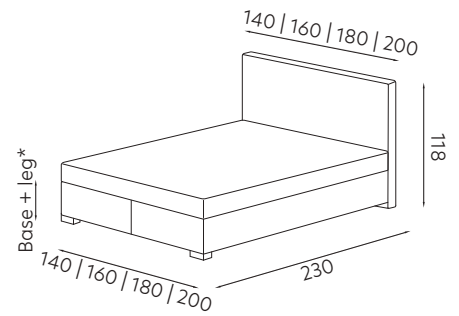
More colorations on page 23





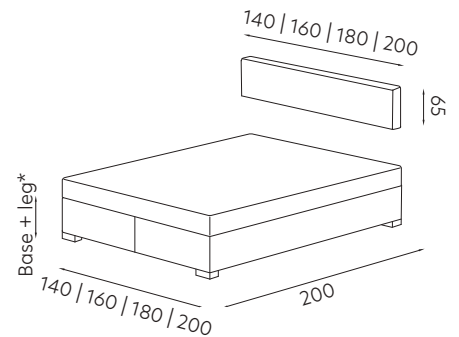
HEADBOARD 505

Picture shows a continental bedside table E and a bed with base B, headboard height 118 cm, leg 25 in black 24, fabric VERA 12



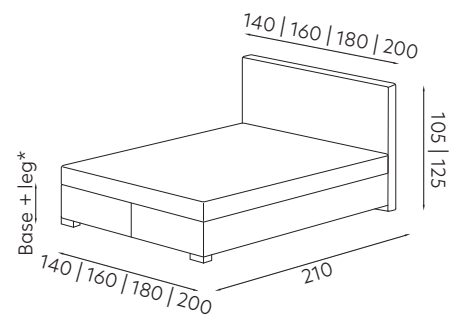
HEADBOARD SMART

Picture shows a continental table B and a bed with headboard SMART 5, base P, leg 33, fabric ESITO 28



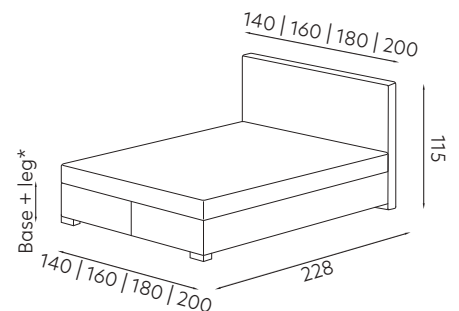
HEADBOARD 606

Picture shows a continental table E and a bed with base B, headboard height 125 cm, leg 28 in varnished oak color 28, fabric MATT VELVET 09



HEADBOARD 507

Picture shows a continental table D and a bed with base P, headboard height 115 cm, leg 34, fabric MONOLITH 92

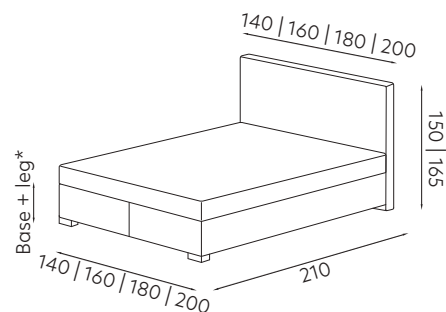


* for heights and types of bases and legs see page 18



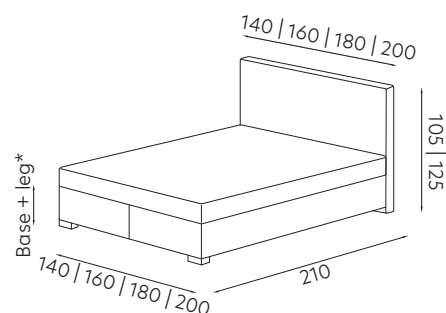
HEADBOARD 900

Picture shows Royal C bedside table on legs and a bed with base B, headboard height 165 cm, leg 28 in gold color, fabric VENUS VELVET 2920



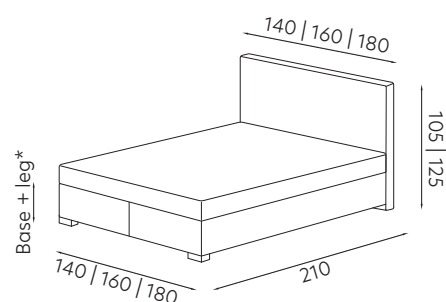
HEADBOARD 402

Picture shows Glass bedside table and a bed with base C, headboard height 125 cm, leg 28 in white 26, fabric NAPOLI 18



HEADBOARD 301

Picture shows Royal C bedside table on plinth and a bed with base C, headrest height 125 cm, leg 34, fabric SPIRIT 12



* for heights and types of bases and legs see page 18

HEADBOARD 100



Picture shows a bed with headboard 100, base C, headboard height 125 cm, leg 25 in black.

HEADBOARD 101



Picture shows a bed with headboard 101, base B, headboard height 125 cm, leg 25 in black.

HEADBOARD 105



Picture shows a bed with headboard 105, base E, headboard height 125 cm, leg 25 in black.

HEADBOARD 201



Picture shows a bed with headboard 201, base A, headboard height 125 cm, leg 25 in black.

HEADBOARD 202



Picture shows a bed with headboard 202, base C, headboard height 125 cm, leg 25 in black.

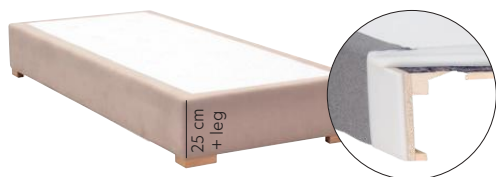
HEADBOARD 400



Picture shows a bed with headboard 400, base E, headboard height 125 cm, leg 25 in silver.

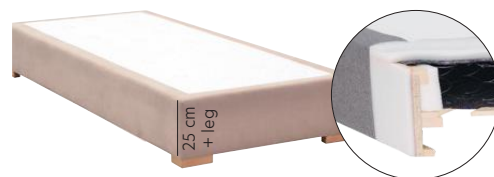
9 BASES TO CHOOSE FROM

A. STANDARD base - solid quality



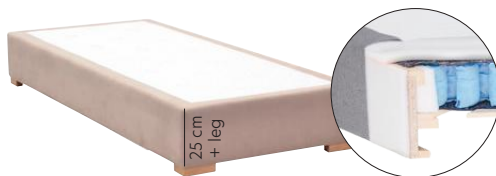
Available single base widths: 70/80/90/100/140 cm.

B. BONELL base - more comfort



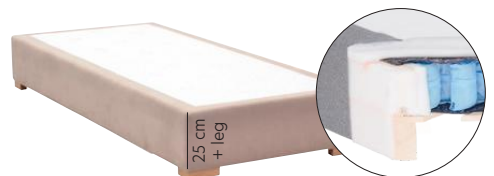
Available single base widths: 70/80/90/100/140 cm.

C. POCKET base - pocket springs - better amortization.



Available single base widths: 70/80/90/100/140 cm.

E. POCKET LUX base - foam insert on the edges of the construction. No so-called dead zone.



Available single base widths: 70/80/90/100/140 cm.

P. base with a front-lift bedding container with slats.



Available single base widths: 70/80/90/100/140 cm.

Z. Base with a front-lift bedding container with pocket insert.



Available single base widths: 70/80/90/100/140 cm.

R. base with a side-lift bedding container.



Available single base widths: 80/90/100 cm.

S. base with a drawer for bedding.

* Only legs with a height of 4 cm can be used for the S base.



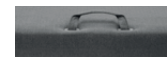
Available single base widths: 80/90/100 cm.

M. free-standing base.

NOTE!!!
4 upholstered sides. No possibility of fixing the headrest.

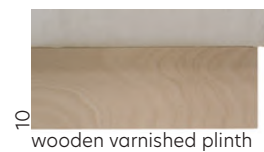
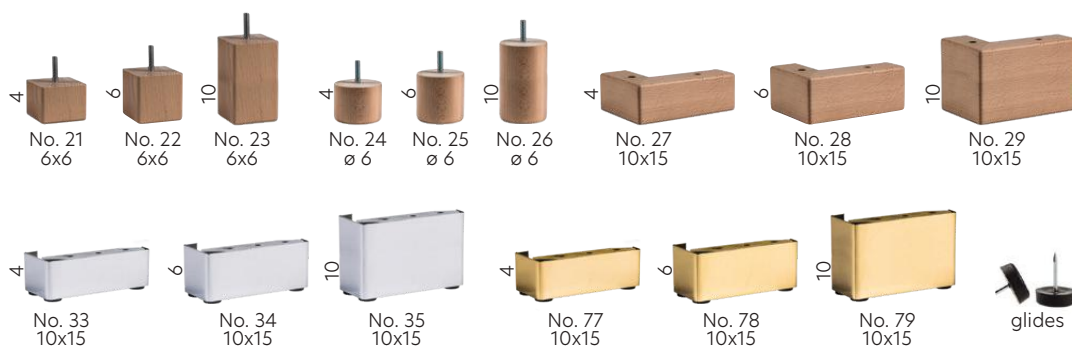


Frame holder No. 1

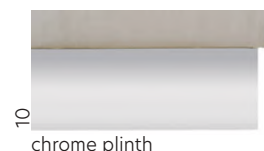


Frame handle No. 2 hidden under the mattress

LEGS AND PLINHTS



10 wooden varnished plinth



10 chrome plinth

For wooden legs colorings see page 23

SLIM CONTINENTAL BEDS



HEADBOARD C20

Picture shows a continental bedside table F and CONTINENTAL SLIM bed with base on legs, fabric AMARAL 51



HEADBOARD B

Picture shows Calgary bedside table and CONTINENTAL SLIM bed with base on glides, fabric MYSTIC 313

4 headboards to choose from



The continental SLIM bases can also be fitted with continental bed headboards, except for 505, 507, 700, 800, 900.

2 bases to choose from - on legs and on glides

base on legs



base on glides



CONTAINER FOR BEDDING



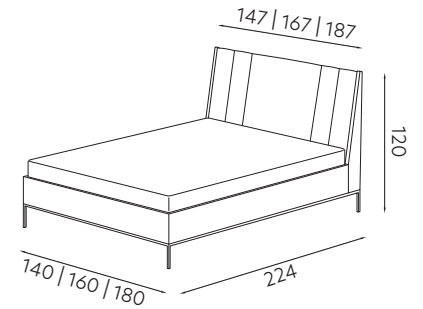
solid wooden frame with slats

BEDS WITH WOOD DECOR AND UPHOLSTERED HEADBOARDS



BLACK LOFT

The bed is available in decor: Oiled Oak + black metal.
Headboard available only in ASTI 15 fabric

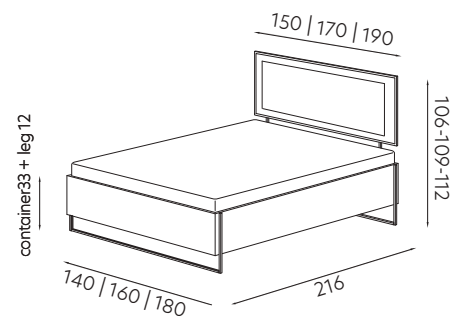


Bed available with a container (leg 10 cm, box 32 cm),
without a container (leg 18 cm, chest 22 cm)



LOFT

The bed is available in decor: Lancelot Oak + black metal.
Headboard available only in AVILLA 26 fabric

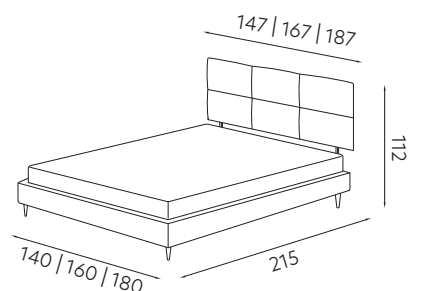


Possibility to install a headrest at three heights.
Bed available with and without a container.



LOFT KARMEL

The bed is available in decor: Caramel Oak + black metal.
Headboard available only in PRESTON 100 fabric

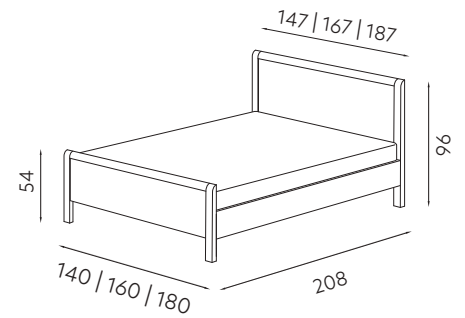


Bed available with a container (leg 10 cm, box 32 cm), without
a container (leg 18 cm, chest 22 cm)



LONDON

The bed is available in decor: Alpine White + Lindberg Oak. Headrest and footboard finish is a natural wood.

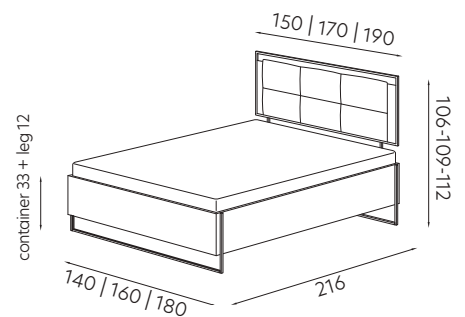


Bed is available with and without a container



GLASS LOFT

Bed available in decor: Bordeaux Oak + black metal. Headboard available only with fabric DAZZA 13



Possibility to install a headrest at three heights. Bed available with and without a container.



MODELLO

MODELLO bed available in decor: Hickory Oak. Headboard available in three fabrics:



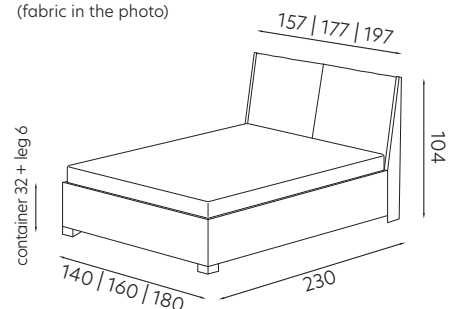
POSITANO 02 (fabric in the photo)



POSITANO 08



POSITANO 95



Bed is available with and without a container

BEDSIDE TABLES

UPHOLSTERED BEDSIDE TABLES



NELLO⁵
Ø 48 | H42
push & pull



RONDO^{1,5}
Ø 47 | H46



NORD
W50 | H50 | D37
push & pull



LAYLA⁵
W53 | H51 | D40



BOLSEÑA⁵
W52 | H40 | D42



HAVANA⁵
W50 | H44 | D44



NATURAL¹
W45 | H56 | D 40
push & pull
Solid oak wood



LIBRO⁴
W50 | H48 | D40
push & pull



HORIZONTAL FORLI
W60 | H44 | D40
push & pull



VERTICAL FORLI
W40 | H60 | D40
push & pull



VERTIGO
W46 | H46 | D40
push & pull



SOFT LOFT
W53 | H46 | D37
push & pull



CONTINENTAL B^{2,5}
W53 | H46 | D41



CONTINENTAL C⁵
W51 | H51 | D40



CONTINENTAL D⁵
W51 | H51 | D40



CONTINENTAL E⁵
W51 | H61 | D40



CONTINENTAL F⁵
W49 | H51 | D41



ROYAL C⁵
Ø 49 | H47
push & pull



STANDARD
W50 | H37 | D37



CALGARY⁵
W56 | H34 | D41
push & pull



DIAMENT⁵
W53 | H40 | D39

All upholstered bedside tables are upholstered with any fabric from our offer (including those where upholstered are only drawer fronts).

1 - leg end available in gold, silver or black

2 - legs available in gold or silver color

3 - table also available with body in black color

4 - right and left variant of tables available

5 - top made of transparent glass

BEDSIDE TABLES MADE OF FURNITURE BOARD



MODELLO⁵
W51 | H44 | D42
push and pull



NUBO
W46 | H44 | D45



MARMI
W50 | H48 | D40
push & pull



UFFICIO
W45 | H39 | D 40
push & pull



OVALO
W46 | H50 | D40



GLASS
W51 | H44 | D42
push & pull
(top, sides and fronts
covered with glass)



LOFT
W50 | H46 | D40
push & pull



LOFT KARMEŁ
W45 | H48 | D40
push & pull



BLACK LOFT
W45 | H49 | D40
push & pull



GLASS LOFT⁵
W45 | H56 | D45
push & pull



LONDON
W46 | H46 | D40
push & pull

BENCHES



OVALO BENCH
W120 | H49 | D40



MARM
W121 | H44 | D43



FORLI
W120 | H48 | D50



NELLO
W113 | H45 | D45



BENCH E
W120 | H45 | D46
available frame colors: black | gray



BENCH H
W122 | H43 | D46
available frame colors: black | gray | gold



BENCH F - WITHOUT ROLLERS
BENCH G - WITH ROLLERS
W120 | H65 | D46
W140 | H65 | D46
legs available in 9 decors presented below



VERTIGO
W122 | H45 | D46
with a container



NELLO 2.0
W121 | H45 | D45
with a container



LOFT
W141 | H54 | D46
with a container



ROYAL A
W120, 140, 160 | H34 + leg | D50
with a container



ROYAL B
W120, 140, 160 | H34 + leg | D50
with a container

Available legs for ROYAL benches: 27, 28, 29, 33, 34, 35, 77, 78, 79. For photos see page 18.

AVAILABLE COLORS OF LEGS AND WOOD PLINTHS



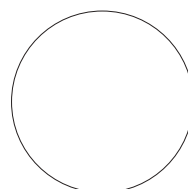
varnished beech 01



oiled oak 11



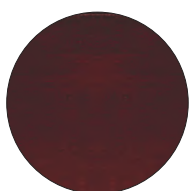
varnished oak 28



white 26



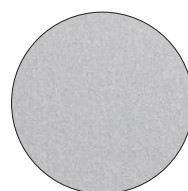
alder 22



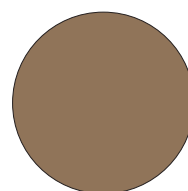
alder 23



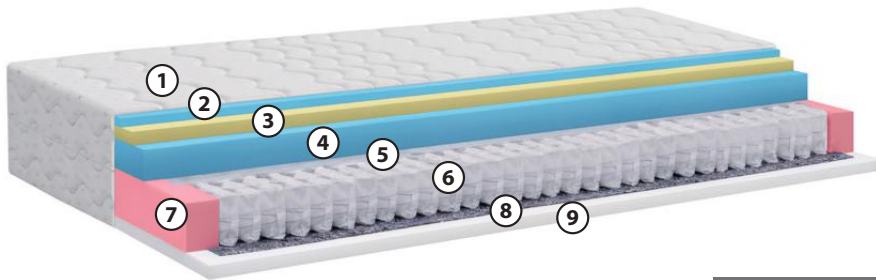
black 24



silver 23

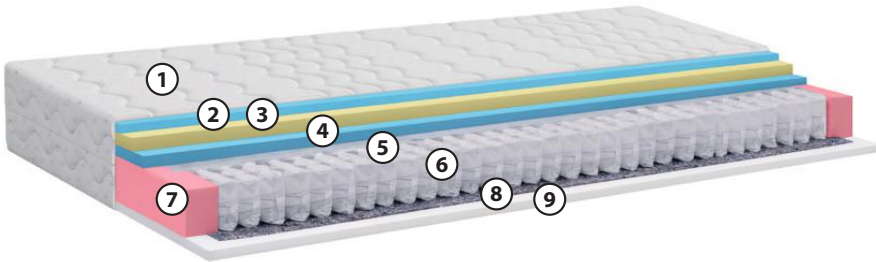


gold 27



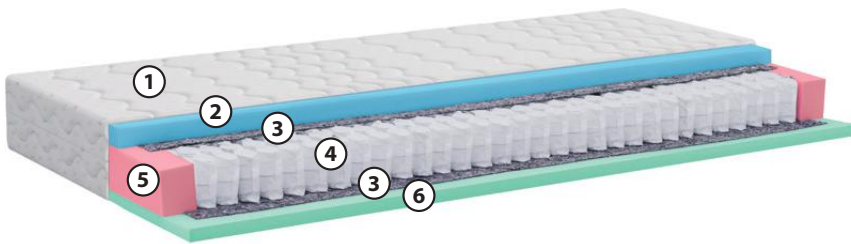
ELITE 27 - one-sided 27 cm

1. cover made of JERSEY mattress fabric;
2. high-flexible foam - 2 cm;
3. thermoelastic foam - 3 cm (50 kg/1m³);
4. high-flexible foam - 7 cm;
5. fleece;
6. pocket springs - 12 cm;
7. high-density T-30 foam - 8 cm;
8. 500 g felt;
9. hard foam - 3 cm;



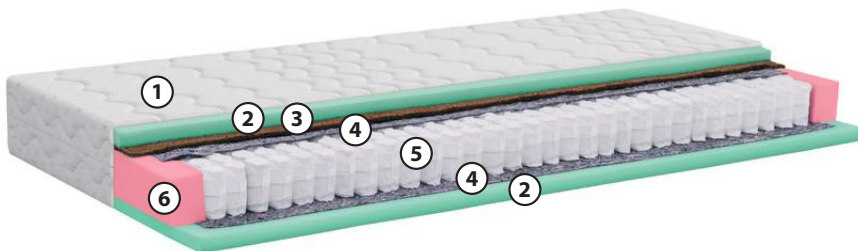
ELITE 21 - one-sided 21 cm

1. cover made of JERSEY mattress fabric;
2. high-flexible foam - 2 cm;
3. thermoelastic foam - 3 cm (50 kg/1m³);
4. high-flexible foam - 2 cm;
5. fleece;
6. pocket springs - 12 cm;
7. high-density T-30 foam - 8 cm;
8. 500 g felt;
9. hard foam - 2 cm;



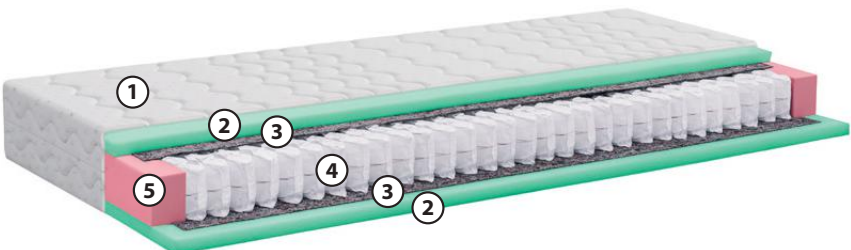
FINEZJA - one-sided 19 cm

1. cover made of JERSEY mattress fabric;
2. thermoelastic foam - 4 cm (50 kg/1m³);
3. 500 g felt;
4. pocket springs - 12 cm;
5. high-density T-30 foam - 8 cm;
6. T-25 foam - 3 cm;



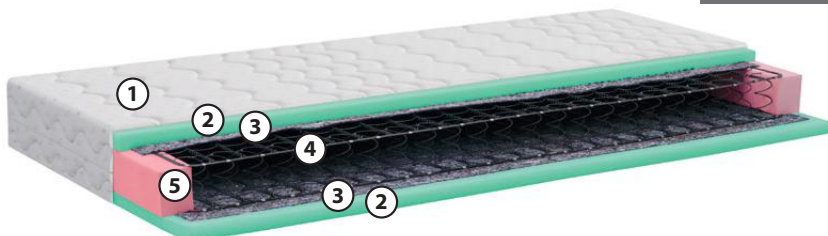
BOSS - double-sided 20 cm

1. cover made of JERSEY mattress fabric;
2. T25 foam - 3 cm;
3. coconut mat 1,5 cm
4. felt 500 g;
5. pocket springs - 12 cm;
6. high-density T-30 foam - 8 cm;



RUBIN - double-sided 18 cm

1. cover made of JERSEY mattress fabric;
2. T25 foam - 3 cm;
3. 500 g felt;
4. pocket springs - 12 cm;
5. high-density T-30 foam - 8 cm;



DALIA - double-sided 18 cm

1. cover made of JERSEY mattress fabric;
2. T-25 foam - 3 cm;
3. 500 g felt;
4. BONNEL springs - 12 cm;
5. high-density T-30 foam - 8 cm

LUX version of mattresses

Each mattress from our offer can be ordered in Lux version, that is with sides upholstered with the same fabric as the bed. Solution recommended especially for continental beds.



The side of the mattress made of upholstery fabric (as on the headboard and the bed base)

Ventilated pillows

The anatomical pillows are made of thermoelastic foam, the properties of which allow for a perfect fit to the line determined by the shoulders, neck and head, ensuring the right way to support the spine during sleep and rest.



Contoured 60x40x12



Profile 60x43x11

Mattress toppers



Foam topper (total height: 3 cm.)



Deep quilted foam topper (total height: 4 cm.)



High-elastic foam topper with a cover removable for washing (total height: 4 cm.)

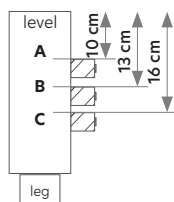
FRAMES FOR BEDS WITHOUT A CONTAINER

ECONOMIC DUO

Self-assembly (frame in a package), 28 flexible slats with a width of 35 mm, the height of the frame about 3 cm, spacing between slats 32 mm.



3 frame assembly heights



STANDARD

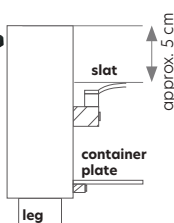
28 flexible slats with a width of 35 mm, 5 slats with adjustable hardness, the height of the frame about 5 cm, spacing between slats 25 mm.



FRAMES FOR BEDS WITH A CONTAINER

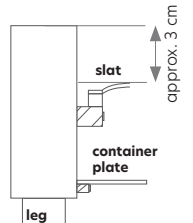
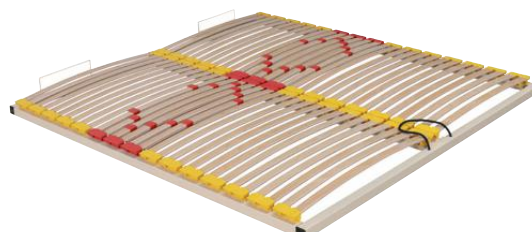
STANDARD L53 FRAME

24 flexible slats with a width of 53 mm, spacing between slats - 25 mm, metal frame with a section of 40 x 30 mm, height of the frame approximately 55 mm. Self-assembly (frame in a package).



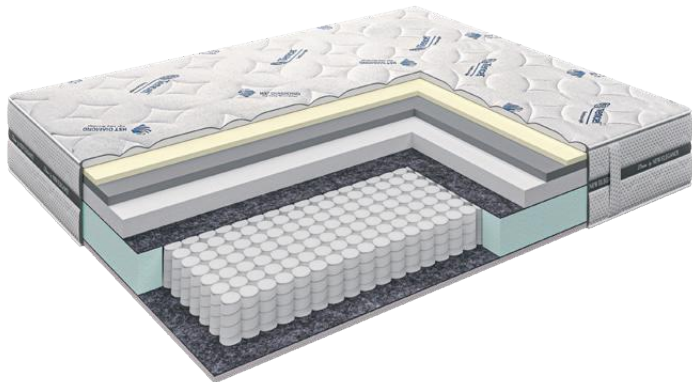
KOMFORT L38 FRAME

30 flexible slats with a width of 38 mm, spacing between slats 25 mm, metal frame with a section of 40 x 40 mm, height of the frame approximately 70 mm, 6 slats with adjustable hardness, flexible handles of duoflex type provide double cushioning and no so-called dead zone in the middle part of the frame. Self-assembly (frame in a package).



COLLECTION OF MATTRESSES

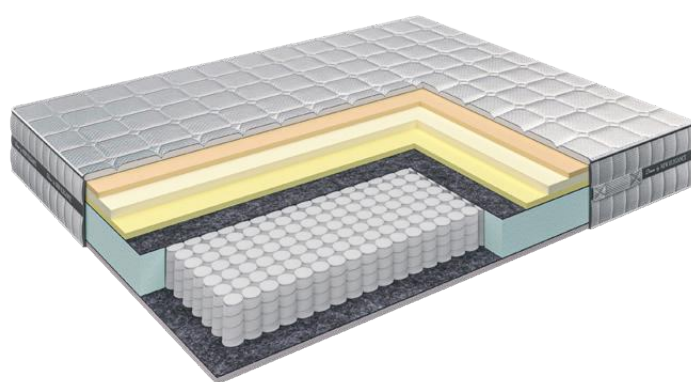
RELAX - medium hard, one-sided - 28 cm



RELAX is a hybrid foam-spring mattress. Comfortable combination of properly selected highly elastic and thermoelastic foams and densely arranged pocket springs, each of which reacts separately to pressure, supports the body at multiple points and ensures a comfortable and healthy sleep also for couples of different weights. Thick, soft cover made of antibacterial Tencel fabric in blue patterns, quilted with soft high-flexible foam, guarantees sleeping comfort and highest hygiene. The entire mattress is trimmed with a gray decorative band. The underside of the cover is a breathable fabric with a fine pattern, which provides its additional ventilation. The model has vertical handles and zipper that allows to completely detach the top layer of the cover for washing.



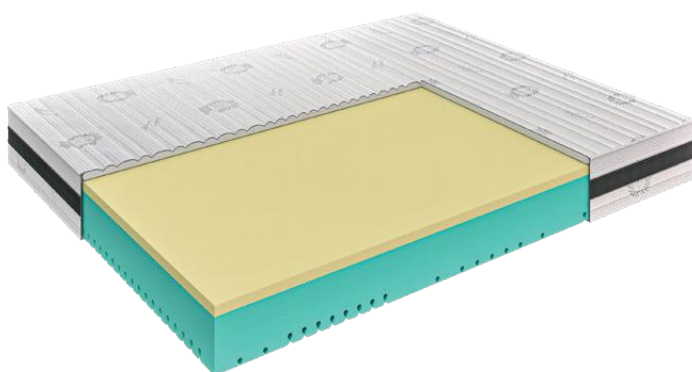
DREAMER - medium soft, one-sided - 24 cm



DREAMER is a hybrid medium firm foam and spring mattress. The unique combination of three high-flexible and thermoelastic foams and densely arranged pocket springs, each of which reacts separately to pressure, provides proper body support also to couples of different weights, while the thick and springy cover, quilted with soft high-elastic foam guarantees a comfortable sleep. The bottom of the cover is sewn from gray breathable fabric with a fine pattern, which ensures proper ventilation. Model with decorative gray tape around the cover and silver trim, is equipped with horizontal handles. A zipper allows the top layer of the cover to be completely detached for washing.



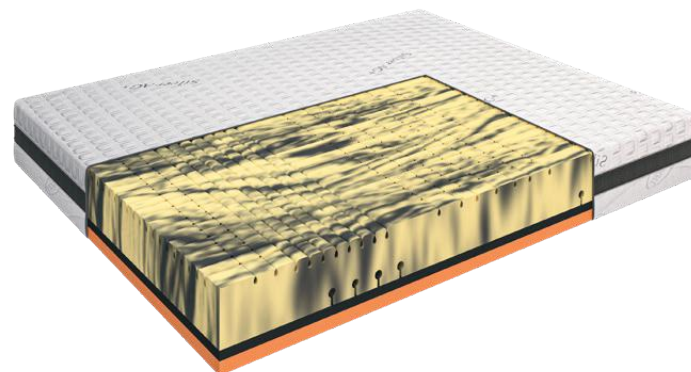
ZEN - hard, one-sided - 22 cm



ZEN is a modern hard foam mattress with universal use. Manufactured from specially profiled into different hardness zones highly flexible foam and delicate thermoelastic foam Supersoft. It guarantees proper support for all parts of the body and comfort during sleep. Cover made of antibacterial Silver Guard fabric Quilted with 3cm thermoelastic foam, trimmed with decorative silver trim. Gray strip of breathable fabric on the sides of the of the mattress and the underside of the 3D mesh cover will ensure the right sleeping environment. The model has a zipper that allows the cover to be divided into two parts for washing.



CHILLOUT - soft, double-sided - 24 cm

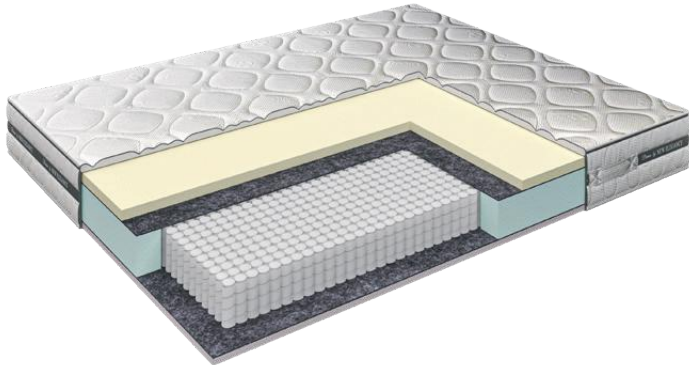


CHILLOUT is a two-sided 24 cm high foam mattress made of a specially selected combination of medium hardness thermoelastic foam and two types of high-elastic foams with different hardness zones. The innovative design of the Chillout mattress and the use of specialized foams guarantee adequate support for the body and ensure a comfortable sleep even for heavier people. The non-quilted cover made of antibacterial Silver AG Plus fabric allows the specialized foams to work better, enhancing their elasticity and resilience. A gray strip of breathable mesh on the sides of the mattress ensures proper sleep hygiene. The model is equipped with a zipper that allows the cover to be divided into two parts for washing.



Dream by NEW ELEGANCE

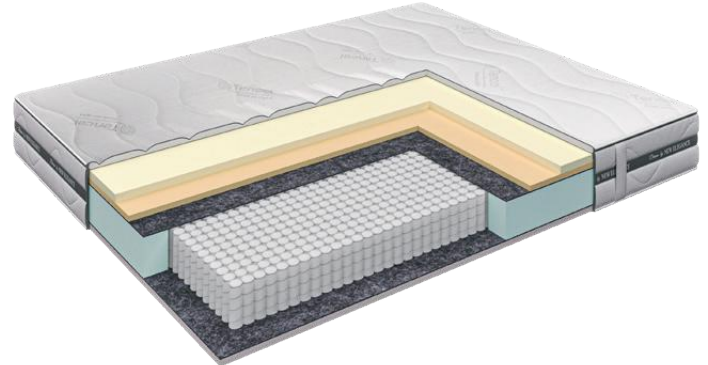
SIESTA - medium hard,
one-sided - 21 cm



SIESTA is a hybrid medium firm foam and spring mattress. The highest quality thermoelastic foam and very dense multipocket springs, each of which responds separately to pressure, provide proper body support also for couples of different weights. A thick, soft cover quilted with high-flexible foam in a geometric pattern provides maximum comfort. The model is decorated with gray decorative piping and an elegant ribbon. The underside of the cover made of gray breathable fabric in a fine pattern ensures proper ventilation. A zipper on each side allows the top layer of the cover to be completely detached for washing.



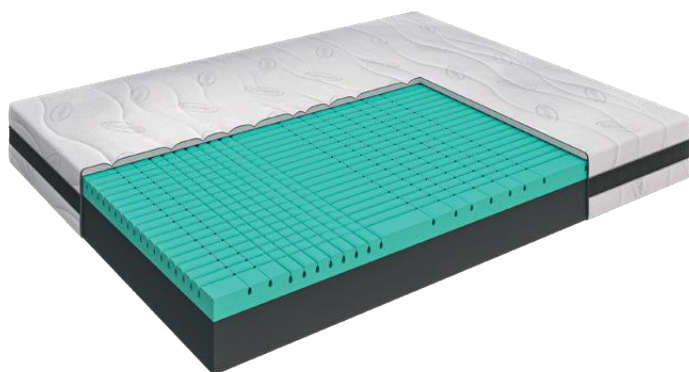
SERENITY - hard,
one-sided - 22 cm



SERENITY is a hybrid medium firm foam-spring mattress that will provide a comfortable and healthy sleep for people with back problems. A layer of latex reduces muscle tension and makes the mattress perfectly adaptable to each sleeper. Thanks to its unique design, it is very resilient and makes it easy to get up. It is also recommended for allergy sufferers. The thick, soft cover made of antibacterial Tencel fabric quilted with soft high-flexible foam guarantees a healthy and hygienic sleeping environment. The underside of the cover made of gray breathable fabric with a fine pattern ensures proper ventilation. The model with a gray decorative tape, equipped with vertical handles and zipper that allows the top layer of the cover to be completely detached for washing.



CALM - medium firm,
double-sided - 23 cm



CALM is a two-sided foam mattress built from two high-flexible foams of different firmness which provide stable support. The two-sidedness of the mattress: the medium-hard side and the hard side will enable healthy and comfortable sleep for heavier people. For heavier people, the firm side of the mattress is especially recommended. A quilted, soft cover made of Lyocell fabric and an additional (3cm) layer of fiber Air Flou will increase sleeping comfort. A gray strip of breathable mesh on the sides of the mattress will ensure proper hygiene during sleep. Zipper allows the cover to be divided into two parts for washing.



Each mattress from the new collection
is available in a LUX version.



A solution ideal for continental beds. The top of the cover identical to that of the selected mattress. Sides of the mattress covered with fabric identical to the selected bed. Available sizes: 80, 90, 140, 160, 180, 200 / 200cm

all mattresses available in sizes: 80, 90, 140, 160, 180, 200 / 200cm

CATALOGS OF OTHER COLLECTIONS ARE AVAILABLE AT
WWW.NEWELEGANCE.PL AND IN FINE FURNITURE STORES



Complete sets of modern furniture for atmospheric bedrooms in various styles (elements to choose from). Apart from comfortable beds of interesting design, the collection includes capacious wardrobes with practical solutions, elegant chests of drawers, mirrors, dressing tables, consoles, benches in front of the bed (some with containers) and many models of bedside tables. The possibility to choose the elements you need, as well as their sizes and decors, will ensure the arrangement of a cosy and comfortable bedroom in your favourite style.

Ready-made built-in systems for bedrooms of different sizes. The Sleep Varia system includes base furniture with or without tables, closets in different sizes and with different solutions in the interior, shelves, interior and exterior shelving, masking sides, blends masking the remaining free space with different widths. For the system we propose 10 different beds in many sizes. Practical reading lamps with USB input will ensure comfortable and healthy relaxation.

The perfect solution for a youth room or a small apartment for a student. Modern and clever solutions from the Basic (spring-loaded wall bed) and Genius (wall bed with gas actuators) collections, together with complementary elements (closets, chests of drawers, bookcases, desks), will allow you to furnish any small space coherently and comfortably. Several decors to choose from will guarantee the selection of your favorite style, and different sizes and variants will perfectly match the furniture to the size of the room.

Sales department
Poland - tel. +48 627842044
e-mail: info@newelegance.pl
Export - tel. +48 627831517
e-mail: export@newelegance.pl
fax.: +48 627841100

This catalog does not constitute an offer in the legal sense and is published for informational purposes only! The manufacturer reserves the right to make structural changes in the developed furniture, without changing their overall character. All dimensions are given in cm with a tolerance of +/- 3 cm. The colors in the photos may differ from the actual colors. Edition JUNE 2023.

www.newelegance.pl